

## Lubricated Base Mount Fire Protection Air Compressors for Dry Pipe & Pre-Action Sprinkler Systems.

### L Plus Series

General Air Products L Plus Series, Single Phase, Lubricated, Base Mounted Fire Protection Air Compressors are designed to fill dry pipe and pre-action fire sprinkler systems to 40 PSI within 30 minutes per NFPA 13.



Includes 30" Stainless Steel Flex Hose & Union and Vibration Pads.

System Capacity (gal)* @40 PSI	Model Number	CFM @ 10 PSIG	Motor HP	Voltage (volts)	Amperage (amps)		Recommended Wire Size (gage)		
					FLA	Start Up	25' Run	50' Run	100' Run
200	L20033A	2.43	1/3	115	4.1	28.8	12	12	12
				208-230	2.3	16.2	12	12	12
290	L29050A	3.52	1/2	115	8.6	60.2	12	12	8
				208-230	4.3	30.1	12	10	8
365	L36575A	4.43	3/4	115	11	77	12	10	8
				208-230	5.5	38.5	12	10	8
425	L425100A	5.15	1	115	14	95.2	12	10	6
				208-230	6.9	48.3	12	10	6
620	L620100A	7.91	1 1/2	115	13	91	12	10	8
				208-230	7.3	51	12	8	6
900	L900150A	10.91	1 1/2	115	13	91	12	10	8
				208-230	7.3	51	12	8	6
1000	L1220200A	14.80	2	115	21	147	10	8	4
				208-230	11.3	79.1	10	8	4
1300	L1300300A	15.76	3	208-230	14	98	10	6	4
1600	L1600300A	19.40	3	208-230	13.7	95.9	8	4	2
2000	L2000500A	24.25	5	208-230	21.5	150.5	8	4	2
2500	L2500500A	30.32	5	208-230	21.5	150.5	8	4	2

### Features and Benefits

- Single Stage Air Cooled Pump
- Fan Type Compressor Pulley
- Integral Air Filter
- Enclosed Belt Guard
- Pressure Relief Valve
- High Pressure Models Available
- NEMA Standard Multi-Voltage Motors
- Specially Formulated Compressor Oil Included
- 30" Stainless Steel Flex Hose
- Vibration Isolation Pads

\* System Capacity based on 30min fill at 40 PSIG and 70°F system temperature.

**Note:** A listed Air Maintenance Device (AMD2) must be installed in conjunction with all Base Mounted air compressors.  
**Note:** All information is subject to change without notice. Consult factory for most up-to-date product details.

**WARNING:** Cancer and Reproductive Harm – [www.p65warnings.ca.gov](http://www.p65warnings.ca.gov)

## LT Plus Series Base Mounted Fire Protection Air Compressors Accessories

### VAPOR PIPE SHIELD



Vapor Pipe Shield is a Patented and UL Listed innovative solution for the prevention of corrosion in Dry-Pipe & Pre-Action Fire Sprinkler Systems.

### REQUIRED AIR MAINTENANCE DEVICE



The AMD-2 is used for automatic operation in conjunction with a dedicated air compressor that does not have a pressure switch installed. The AMD-2 is rated for 175 PSI.  
 Per NFPA 13 - An Air Maintenance Device is required on every dry system unless the air compressor has a capacity less than 5.5 ft<sup>3</sup>/min at 10 PSI.

Part # AMD-2

### MOTOR LINE STARTER



#### Thermal Overload Protection

MAX HP	SINGLE PHASE MOTOR LINE STARTERS			
	115V	208-230V	Size	Model
1/3 HP	1 HP	00		MG00A
1 HP	2 HP	0		MG00A
2 HP	3 HP	1		MG01A
3 HP	5 HP	1P		MG15A

When Ordering a Motor Starter you must specify HP, Voltage & Phase.

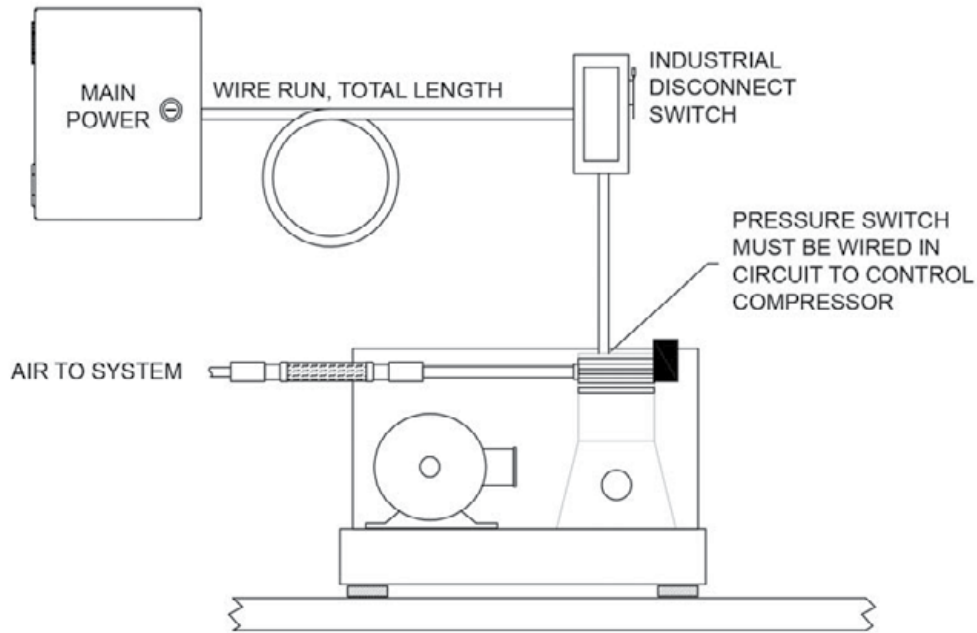
**Lubricated Base Mount Fire Protection Air Compressors**  
for Dry Pipe & Pre-Action Sprinkler Systems.

**L Plus Series**

General Air Products L Plus Series, Single Phase, Lubricated, Base Mounted Fire Protection Air Compressors are designed to fill dry pipe and pre-action fire sprinkler systems to 40 PSI within 30 minutes per NFPA 13.



**System Layout**



**L Plus Series Base Mounted Fire Protection Air Compressors Accessories**

**VAPOR PIPE SHIELD**



Vapor Pipe Shield is a Patented and UL Listed innovative solution for the prevention of corrosion in Dry-Pipe & Pre-Action Fire Sprinkler Systems.

**REQUIRED AIR MAINTENANCE DEVICE**



Part # AMD-2

The AMD-2 is used for automatic operation in conjunction with a dedicated air compressor that does not have a pressure switch installed. The AMD-2 is rated for 175 PSI. Per NFPA 13 - An Air Maintenance Device is required on every dry system unless the air compressor has a capacity less than 5.5 ft<sup>3</sup>/min at 10 PSI.

**MOTOR LINE STARTER**



**Thermal Overload Protection**

MAX HP	SINGLE PHASE MOTOR LINE STARTERS		
	115V	208-230V	Size Model
1/3 HP	1 HP	00	MG00A
1 HP	2 HP	0	MGX0A
2 HP	3 HP	1	MG01A
3 HP	5 HP	1P	MG15A

When Ordering a Motor Starter you must specify HP, Voltage & Phase.