

Oil-Less Riser Mount Fire Protection Air Compressors

for **High Pressure** Dry Pipe & Pre-Action Sprinkler Systems.

OL Plus Series

General Air Products newly improved High Pressure OL Plus Series Oil Less Riser Mount Fire Protection Air Compressors are specifically designed to fill dry pipe and pre-action fire sprinkler systems to 40 PSI within 30 minutes per NFPA 13.



Includes Riser Mounting Bracket, 30" Stainless Steel Flex Hose & Union.



System Capacity (gal)* @40 PSI	Model Number	CFM @10 PSIG	Motor HP	Voltage (volts)	Amperage (amps)		Recommended Wire Size (gage)			Unit Weight (lbs)
					FLA	Start Up	25' Run	50' Run	100' Run	
250	OLR25033AC-HP	3.03	1/3	115	4.3	30	12	12	10	33
				208-230	2.3	16	12	12	12	
400	OLR40050AC-HP	4.85	1/2	115	9.4	66	12	10	6	45
				208-230	4.9	34	12	12	12	
500	OLR50075AC-HP⁺	6.06 ⁺	3/4	115	9.9	69	12	10	6	45
				208-230	5.1	36	12	12	12	
600	OLR600100AC-HP⁺	7.28 ⁺	1	115	11.3	79	12	10	6	45
				208-230	5.7	40	12	12	12	
915	OLR915150AC-HP⁺	11.10 ⁺	1 1/2	115	16.6	116	12	8	8	60
				208-230	8.3	58	10	8	6	
1100	OLR1100200AC-HP⁺	13.34 ⁺	2	208	11.3	79	10	8	6	70
				230	9.6	79	12	12	10	

Features and Benefits

- 100 PSI Max Pressure
- Oil-Less Piston Compressor
- UL Listed, Pre-Set Pressure Switch
- Fully Automatic, Direct Drive
- ASME Pressure Safety Valve
- Bubble Tight Air Check Valve
- Pre-Wired & Pre-Tested
- Lifetime Technical Support
- Includes Riser Mounting Bracket, 30" Stainless Steel Flex Hose & Union

* System Capacity based on 30min fill-time at 70° F system temperature.

⁺ Compressor has a capacity above 5.5 CFM @ 10 PSIG. A listed Air Maintenance Device is required on systems supervised by this compressor per NFPA 13.

Note: All information is subject to change without notice. Consult factory for most up-to-date product details.

 **WARNING:** Cancer and Reproductive Harm – www.p65warnings.ca.gov

OL Plus Series High Pressure Riser Mount Fire Protection Air Compressors Accessories

VAPOR PIPE SHIELD



Vapor Pipe Shield is a Patented and UL Listed innovative solution for the prevention of corrosion in Dry-Pipe & Pre-Action Fire Sprinkler Systems.

AIR MAINTENANCE DEVICE



The AMD-1 regulates the volume of air being delivered to the sprinkler system by the air compressor.

Per NFPA 13 - An Air Maintenance Device is required on every dry system unless the air compressor has a capacity less than 5.5 ft³/min at 10 PSI.

Part # AMD-1

MOTOR LINE STARTER



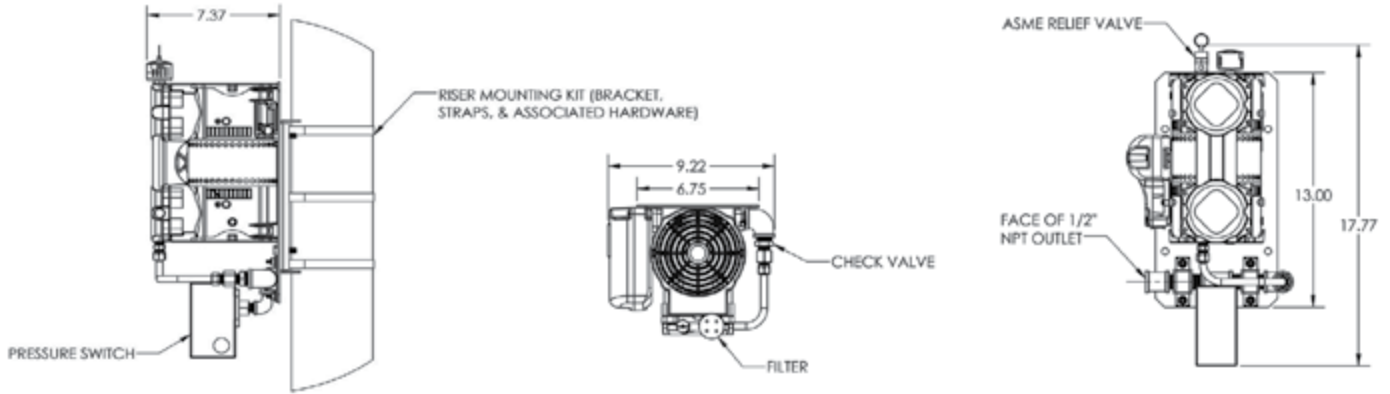
Thermal Overload Protection

MAX HP	SINGLE PHASE MOTOR LINE STARTERS			Model
	115V	208-230V	Size	
1/3 HP	1 HP	00		MG00A
1 HP	2 HP	0		MGX0A
2 HP	3 HP	1		MG01A
3 HP	5 HP	1P		MG15A

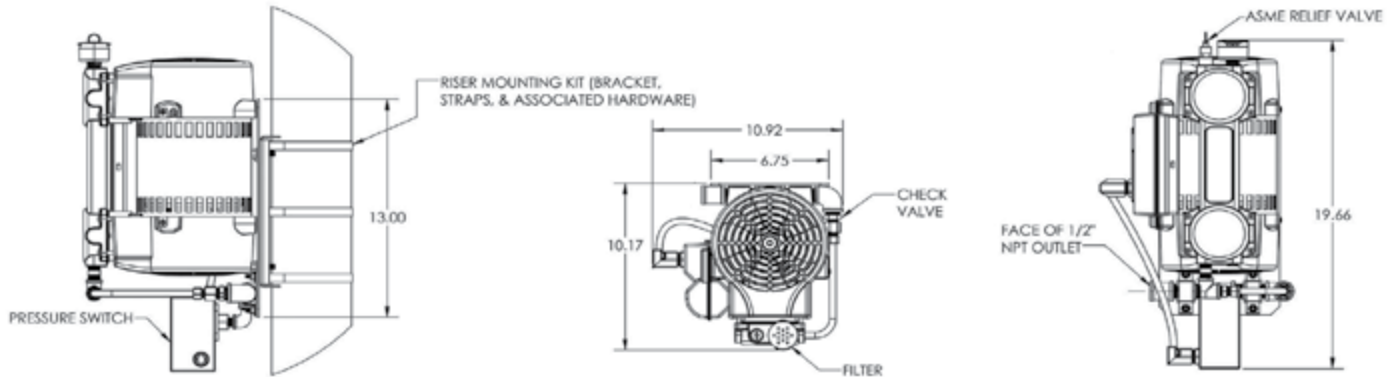
When Ordering a Motor Starter you must specify HP, Voltage & Phase.

OL Plus Series High Pressure Riser Mount Fire Protection Air Compressors

MODEL: OLR25033AC-HP



MODELS: OLR40050AC-HP | OLR50075AC-HP | OLR600100AC-HP



MODELS: OLR915150AC-HP | OLR11002005AC-HP

