

## Lubricated Tank Mounted

**Digital Fire Protection Air Compressors**  
for Dry Pipe & Pre-Action Sprinkler Systems.

The LT Advance Series Tank Mounted Air Compressors Feature an all-new, UL 508 Listed, General Air Products Digital Pressure Switch. Our digital pressure switch makes it easy to adjust and maintain pressure from low, standard or high pressure, while cutting down on setup time. The Digital Pressure Switch also actuates an Automatic Drain Valve.

### PRE-SET PRESSURES FOR EASY INSTALLATION

Standard Pressure

**45/60**

High Pressure

**80/100**

Easily adjust to any custom setting with the push of a button.  
All tank mounted compressors require an Air Maintenance Device to regulate system pressure.

**LT** Advance  
Series



Includes Oil, Vibration Pads,  
30" Stainless Steel Flex Hose & Union

System Capacity (gal)* @40 PSI	Model Number	CFM @10 PSIG	Motor HP	Voltage (volts)	Amperage (amps)		Recommended Wire Size (gauge)			Tank Size (gal)	Unit Weight (lbs)	Pre-wired
					FLA	Start Up	25' Run	50' Run	100' Run			
220	LTV22050A	2.67	1/2	115	8.6	60.2	12	12	8	10	115	Yes
				208-230	4.3	30.1	12	10	8			
390	LTV390100A	4.18	1	115	13.9	95.2	12	10	6	10	130	Yes
				208-230	6.9	47.6	12	10	6			
900	LTV900100A	7.91	1 1/2	115	13	102.9	12	10	6	20	170	Yes
				208-230	7.5	51.4	12	8	6			
1200	LTV1200150A	10.33	1 1/2	115	13	102.9	12	10	6	20	150	Yes
				208-230	7.5	51.4	12	8	6			
1600	LTV1600300A	14.55	3	208-230	13.7	121.8	8	4	2	30	310	No
2300	LTV2300500A	30.32	5	208-230	21.5	161	8	4	2	30	336	No

## Features and Benefits

- UL Listed, Digital Pressure Switch
- Displays Pressure Readings
- Displays & Records Run Hours
- Displays Amperage
- Displays & Records Cycles
- ASME Pressure Safety Valve
- Bubble Tight Air Check Valve
- All Compressors Are Pre-Tested
- Lifetime Technical Support
- Automatic Tank Drain Valve
- Annual Automated Maintenance Reminders

\* System Capacity based on 30min fill-time at 70° F system temperature.

**Note:** A listed Air Maintenance Device must be installed in conjunction with all Tank Mounted air compressors.

**Note:** All compressors up to 1.5 HP are pre-wired.

**Note:** Compressors 2.0 HP and above require a motor line starter per NEC.

**Note:** All information is subject to change without notice. Consult factory for most up-to-date product details

 **WARNING:** Cancer and Reproductive Harm – [www.p65warnings.ca.gov](http://www.p65warnings.ca.gov)

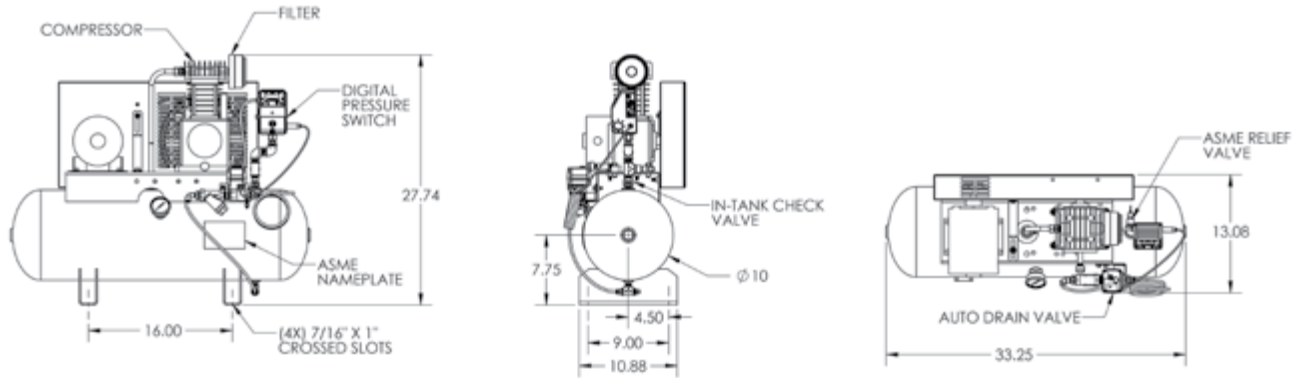
## System Capacity (gal) by System Pressure

Model Number	20 PSI	30 PSI	40 PSI	50 PSI	60 PSI	70 PSI	80 PSI	90 PSI	100 PSI
LTV22050A	475	300	220	170	135	115	95	85	75
LTV390100A	850	540	390	305	250	210	180	155	135
LTV900100A	2005	1285	900	730	595	500	430	375	330
LTV1200150A	2515	1605	1200	915	740	615	530	460	410
LTV1600300A	3605	2315	1600	1310	1065	890	760	655	575
LTV2000500A	4035	2655	2000	1550	1275	1075	930	815	720
LTV2300500A	4710	3115	2300	1820	1495	1260	1090	955	845

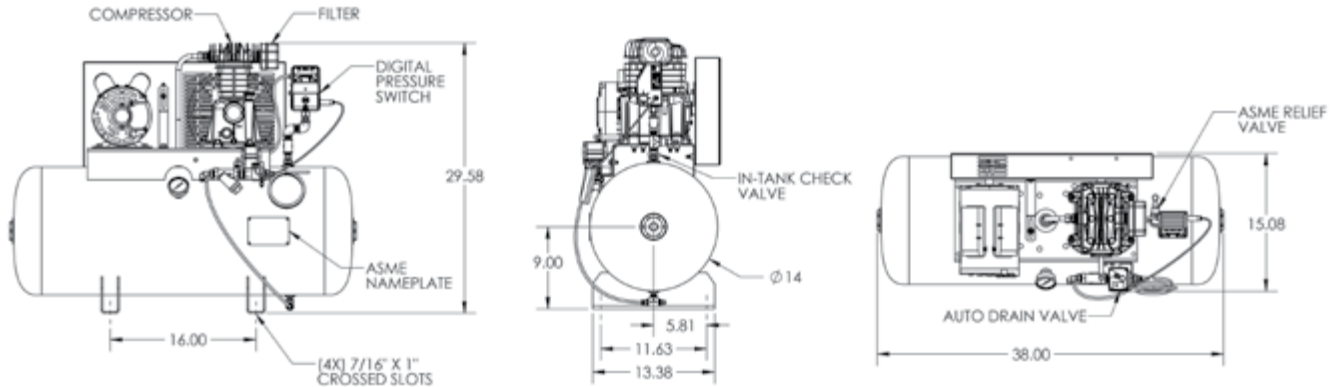
The LT Advance Series, Lubricated Tank Mounted Digital Fire Protection Air Compressors are specifically designed to fill dry pipe and pre-action fire sprinkler systems to supervisory pressure within 30 minutes per NFPA 13.

**LT Advance Series Tank Mounted Digital Fire Protection Air Compressors**

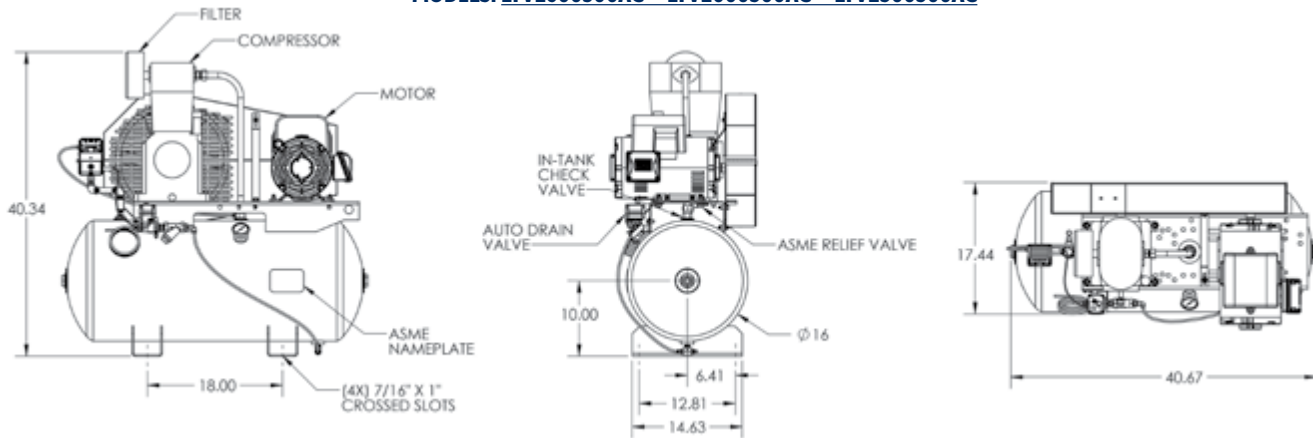
**MODELS: LTV22050AC – LTV390100AC**



**MODELS: LTV900100AC – LTV1200150AC**



**MODELS: LTV1600300AC – LTV2000500AC – LTV2500500AC**



**LT Advance Series Tank Mounted Digital Fire Protection Air Compressors Accessories**

**VAPOR PIPE SHIELD**



Vapor Pipe Shield is a Patented and UL Listed innovative solution for the prevention of corrosion in Dry-Pipe & Pre-Action Fire Sprinkler Systems.

**AIR MAINTENANCE DEVICE**



Part # AMD-1

The AMD-1 regulates the volume of air being delivered to the sprinkler system by the air compressor.

*Per NFPA 13 - An Air Maintenance Device is required on every dry system unless the air compressor has a capacity less than 5.5 ft<sup>3</sup>/min at 10 PSI.*

**MOTOR LINE STARTER**



**Thermal Overload Protection**

MAX HP	SINGLE PHASE MOTOR LINE STARTERS			
	115V	208-230V	Size	Model
1/3 HP	1 HP	00	MG00A	
1 HP	2 HP	0	MGX0A	
2 HP	3 HP	1	MG01A	
3 HP	5 HP	1P	MG15A	

*When Ordering a Motor Starter you must specify HP, Voltage & Phase.*