

Lubricated Tank Mounted

Digital Fire Protection Air Compressors for Dry Pipe & Pre-Action Sprinkler Systems.

The LT Advance Series Tank Mounted Air Compressors Feature an all-new, UL 508 Listed, General Air Products Digital Pressure Switch. Our digital pressure switch makes it easy to adjust and maintain pressure from low, standard or high pressure, while cutting down on setup time. The Digital Pressure Switch also actuates an Automatic Drain Valve.

PRE-SET PRESSURES FOR EASY INSTALLATION

Standard Pressure

45/60

High Pressure

80/100

Easily adjust to any custom setting with the push of a button. All tank mounted compressors require an Air Maintenance Device to regulate system pressure.

LT Advance Series



Includes Oil, Vibration Pads, 30" Stainless Steel Flex Hose & Union

System Capacity (gal)* @40 PSI	Model Number	CFM @10 PSIG	Motor HP	Voltage (volts)	Amperage (amps)		Recommended Wire Size (gage)			Tank Size (gal)	Unit Weight (lbs)
					FLA	Start Up	25' Run	50' Run	100' Run		
220	LTV22050A	2.67	1/2	115 208-230	8.6 4.3	60.2 30.1	12 12	12 10	8 8	10	115
390	LTV390100A	4.18	1	115 208-230	13.9 6.9	95.2 47.6	12 12	10 10	6 6	10	130
900	LTV900100A	7.91	1 1/2	115 208-230	13 7.5	102.9 51.4	12 12	10 8	8 6	20	170
1200	LTV1200150A	10.33	1 1/2	115 208-230	13 7.5	102.9 51.4	12 12	10 8	8 6	20	150
1600	LTV1600300A	14.55	3	208-230	18	121.8	8	4	2	30	310
2000	LTV2000500A	24.25	5	208-230	21.5	161	8	4	2	30	319
2300	LTV2300500A	30.32	5	208-230	21.5	161	8	4	2	30	336

Features and Benefits

- UL Listed, Digital Pressure Switch
- Displays Pressure Readings
- Displays & Records Run Hours
- Displays Amperage
- Displays & Records Cycles
- ASME Pressure Safety Valve
- Bubble Tight Air Check Valve
- All Compressors Are Pre-Tested
- Lifetime Technical Support
- Automatic Tank Drain Valve
- Annual Automated Maintenance Reminders

* System Capacity based on 30min fill-time at 70° F system temperature.

Note: A listed Air Maintenance Device must be installed in conjunction with all Tank Mounted air compressors.

Note: All compressors up to 1.5 HP are pre-wired.

Note: Compressors 2.0 HP and above require a motor line starter per NEC.

Note: All information is subject to change without notice. Consult factory for most up-to-date product details

⚠ WARNING: Cancer and Reproductive Harm – www.p65warnings.ca.gov

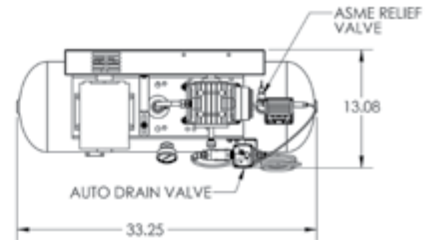
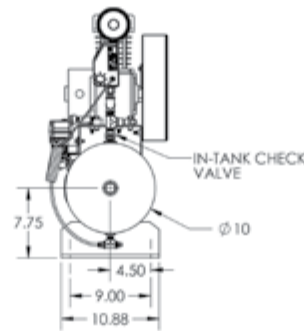
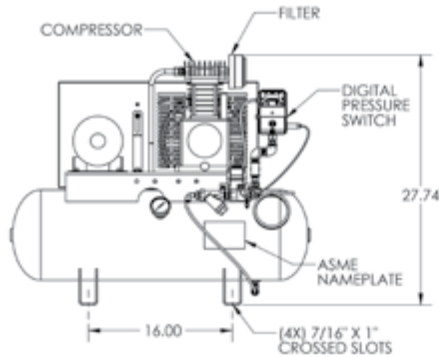
System Capacity (gal) by System Pressure

Model Number	20 PSI	30 PSI	40 PSI	50 PSI	60 PSI	70 PSI	80 PSI	90 PSI	100 PSI
LTV22050AC	475	300	220	170	135	115	95	85	75
LTV390100AC	850	540	390	305	250	210	180	155	135
LTV900100AC	2005	1285	900	730	595	500	430	375	330
LTV1200150AC	2515	1605	1200	915	740	615	530	460	410
LTV1600300AC	3605	2315	1600	1310	1065	890	760	655	575
LTV2000500AC	4035	2655	2000	1550	1275	1075	930	815	720
LTV2300500AC	4710	3115	2300	1820	1495	1260	1090	955	845

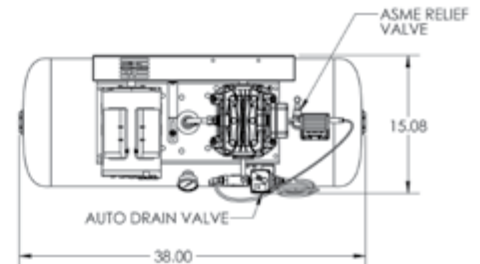
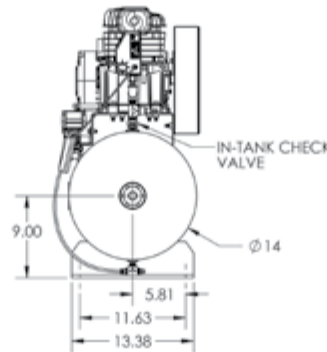
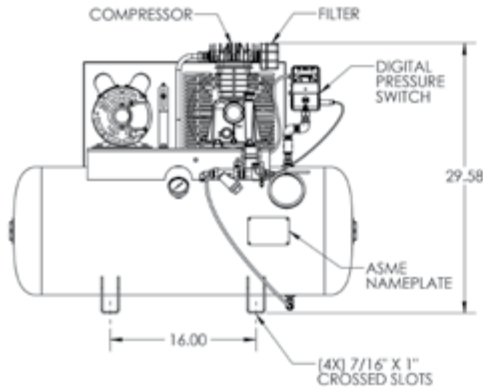
The LT Advance Series, Lubricated Tank Mounted Digital Fire Protection Air Compressors are specifically designed to fill dry pipe and pre-action fire sprinkler systems to supervisory pressure within 30 minutes per NFPA 13.

LT Advance Series Tank Mounted Digital Fire Protection Air Compressors

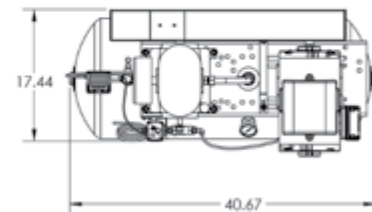
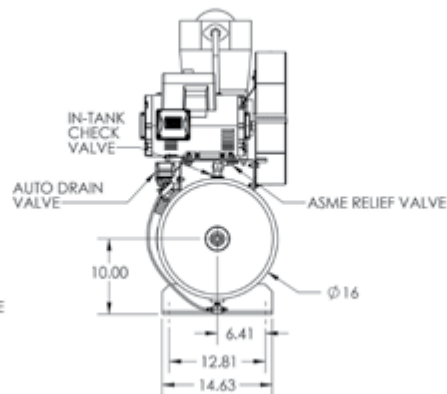
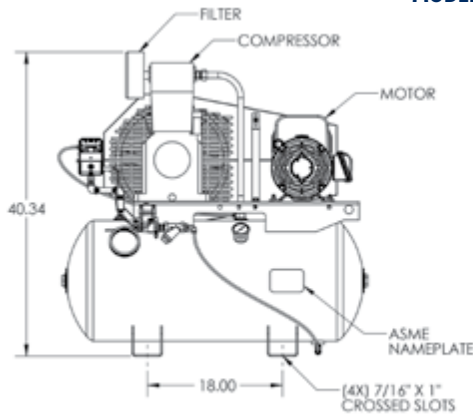
MODELS: LTV22050AC – LTV390100AC



MODELS: LTV900100AC – LTV1200150AC



MODELS: LTV1600300AC – LTV2000500AC – LTV2500500AC



LT Advance Series Tank Mounted Digital Fire Protection Air Compressors Accessories

VAPOR PIPE SHIELD



Vapor Pipe Shield is a Patented and UL Listed innovative solution for the prevention of corrosion in Dry-Pipe & Pre-Action Fire Sprinkler Systems.

AIR MAINTENANCE DEVICE



Part # AMD-1

The AMD-1 regulates the volume of air being delivered to the sprinkler system by the air compressor.

Per NFPA 13 - An Air Maintenance Device is required on every dry system unless the air compressor has a capacity less than 5.5 ft³/min at 10 PSI.

MOTOR LINE STARTER



Thermal Overload Protection

MAX HP	SINGLE PHASE MOTOR LINE STARTERS		Size	Model
	115V	208-230V		
1/3 HP	1 HP	00	MG00A	
1 HP	2 HP	0	MGX0A	
2 HP	3 HP	1	MG01A	
3 HP	5 HP	1P	MG15A	

When Ordering a Motor Starter you must specify HP, Voltage & Phase.