

SINGLE PHASE
Oil-Less Tank Mounted
Digital Fire Protection Air Compressors
 for Dry Pipe & Pre-Action Sprinkler Systems.

Our OL Advance Series Tank Mounted Digital Air Compressors Feature an all-new, UL-508 Listed, General Air Products Digital Pressure Switch. Our digital pressure switch makes it easy to adjust and maintain pressure from low, standard or high pressure, while cutting down on setup time. The Digital Pressure Switch also actuates an Automatic Drain Valve on tank mounted units.

PRE-SET PRESSURES FOR EASY INSTALLATION

Easily adjust to any custom setting with the push of a button.

OL Advance Series



Includes Vibration Pads, 30" Stainless Steel Flex Hose & Union.

All tank mounted compressors require an Air Maintenance Device to regulate system pressure.

System Capacity (gal)*	Model Number	Factory Pressure Switch Settings	CFM @10 PSIG	Motor HP	Voltage (volts)	Amperage (amps)		Recommended Wire Size (gage)			Tank Size	Unit Weight (lbs)
						FLA	Start Up	25' Run	50' Run	100' Run		
120	OLTV120-A	45/60**	1.46	1/6	115	3.8	27	12	12	12	10	83
					208-230	2.2	15	12	12	12		
250	OLTV250-A	80/100	3.03	1/3	115	4.3	30	12	12	10	10	87
					208-230	2.3	16	12	12	12		
400	OLTV400-A	80/100	4.85	1/2	115	9.4	66	12	10	6	10	68
					208-230	4.9	34	12	12	12		
500	OLTV500-A	80/100	6.06	3/4	115	9.9	69	12	10	6	10	98
					208-230	5.1	36	12	12	12		
600	OLTV600-A	80/100	7.28	1	115	11.3	79	12	10	6	10	98
					208-230	5.7	40	12	12	12		
915	OLTV915-A	80/100	11.10	1 1/2	115	16.6	116	12	8	8	20	135
					208-230	8.3	58	10	8	6		
1100	OLTV1095-A	80/100	13.34	2	208	11.3	79	10	8	6	20	135
					230	9.6	79	12	12	10		

Features and Benefits

- UL 1450-VDUR Listed
- CSA C22.2 No.68-Canada
- Oil-Less Piston Compressor
- UL Listed, Digital Pressure Switch
- Displays Pressure Readings
- Displays & Records Run Hours
- Displays Amperage
- Displays & Records Cycles
- Fully Automatic, Direct Drive
- ASME Pressure Safety Valve
- Bubble Tight Air Check Valve
- Pre-Wired & Pre-Tested
- Lifetime Technical Support
- Automatic Tank Drain Valve
- Annual Automated Maintenance Reminders

* System Capacity based on 30min fill and at 70°F system temperature.

** Model Number OLT120-A –Optimal On-Off pressure for this unit and must not exceed an On-Off setting of 45/60

Note: A listed Air Maintenance Device must be installed in conjunction with all Tank Mounted air compressors.

Note: All information is subject to change without notice. Consult factory for most up-to-date product details.

 **WARNING:** Cancer and Reproductive Harm – www.p65warnings.ca.gov

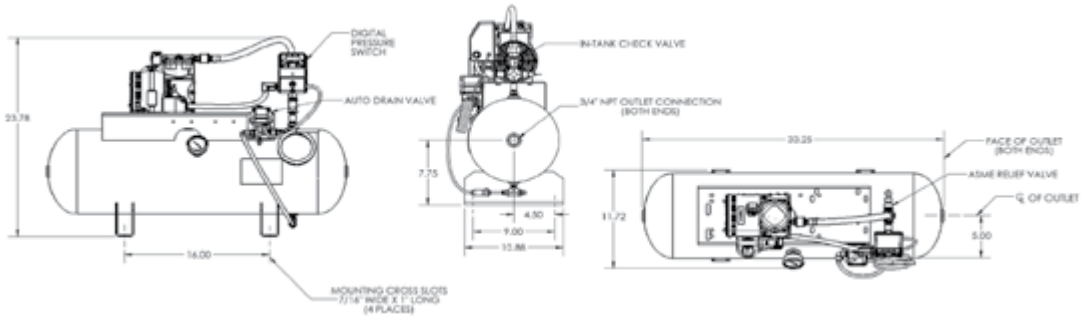
System Capacity (gal) by System Pressure

Model Number	@20 PSI	@30 PSI	@40 PSI	@50 PSI	@60 PSI	@70 PSI	@80 PSI	@90 PSI	@100 PSI
OLTV120-A	265	170	120	95	75	65	55	45	40
OLTV250-A	565	350	250	190	155	125	105	90	75
OLTV400-A	930	595	400	325	255	215	180	155	135
OLTV500-A	1030	655	500	360	290	240	200	170	145
OLTV600-A	1250	790	600	435	350	285	240	210	180
OLTV915-A	2190	1325	910	680	525	420	340	280	240
OLTV1095-A	2630	1625	1140	860	690	555	465	390	340

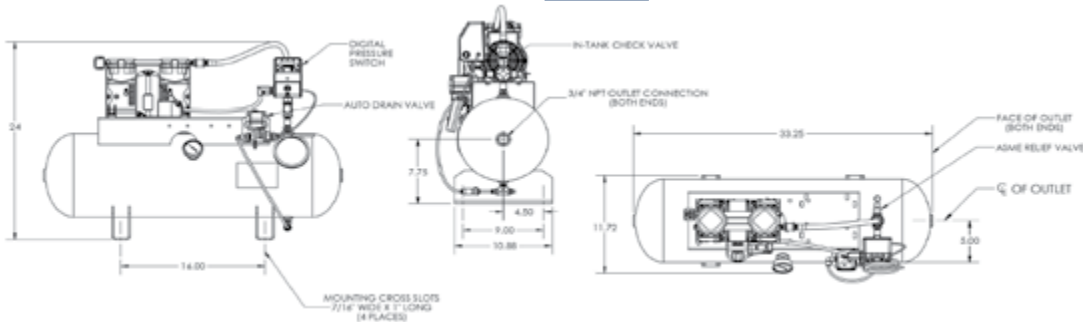
The OL Advance Series Digital Fire Protection Air Compressors are UL 1450-VDUR Listed and specifically designed to fill dry pipe and pre-action fire sprinkler systems to supervisory pressure within 30 minutes per NFPA 13.

OLT Advance Series Tank Mounted Digital Fire Protection Air Compressors

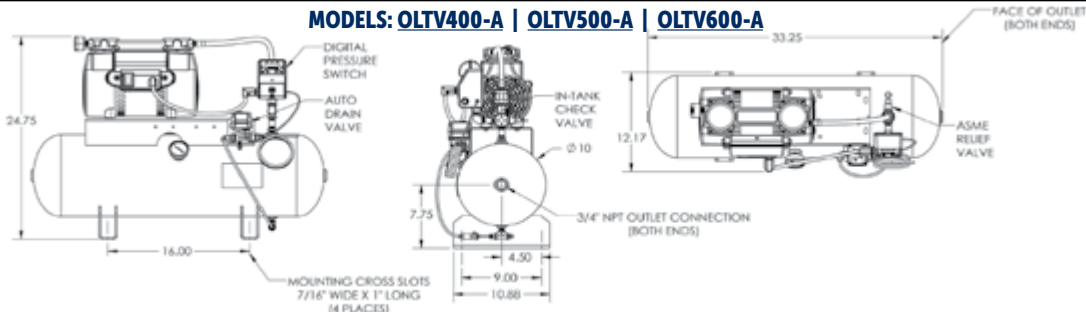
MODEL: OLTV120-A



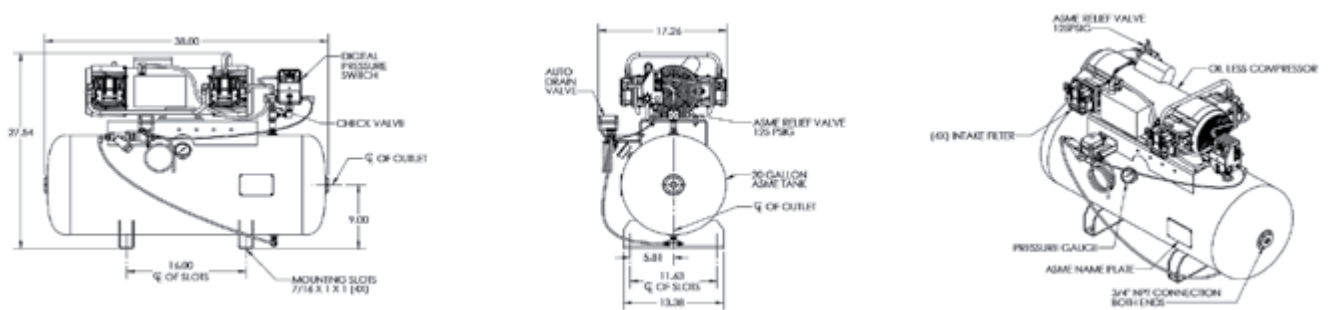
MODEL: OLTV250-A



MODELS: OLTV400-A | OLTV500-A | OLTV600-A



MODELS: OLTV915-A | OLTV1095-A



OLT Advance Series Tank Mounted Digital Fire Protection Air Compressors Accessories

VAPOR PIPE SHIELD



Vapor Pipe Shield is a Patented and UL Listed innovative solution for the prevention of corrosion in Dry-Pipe & Pre-Action Fire Sprinkler Systems.

AIR MAINTENANCE DEVICE



Part # AMD-1

The AMD-1 regulates the volume of air being delivered to the sprinkler system by the air compressor.

Per NFPA 13 - An Air Maintenance Device is required on every dry system unless the air compressor has a capacity less than 5.5 ft³/min at 10 PSI.

MOTOR LINE STARTER



Thermal Overload Protection

MAX HP	SINGLE PHASE MOTOR LINE STARTERS			
	115V	208-230V	Size	Model
1/3 HP	1 HP	00	MG00A	
1 HP	2 HP	0	MGX0A	
2 HP	3 HP	1	MG01A	
3 HP	5 HP	1P	MG15A	

When Ordering a Motor Starter you must specify HP, Voltage & Phase.